



Technical Tips



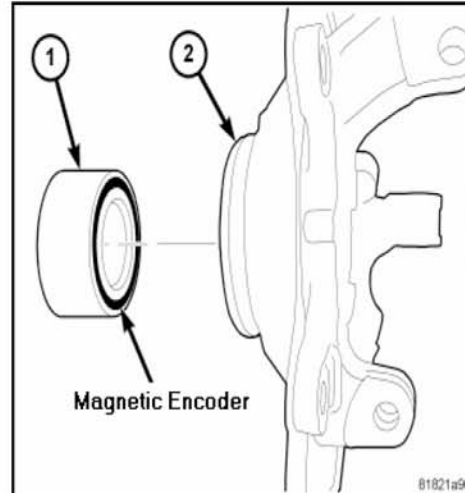
Current Technical Tips and Bulletins



Repairing Hub Bearing

Caution:

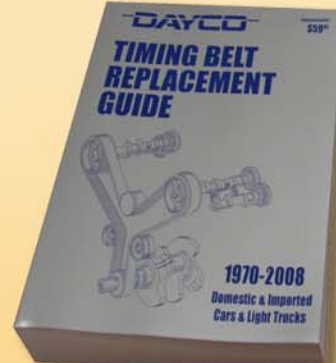
When installing the wheel bearing (1) in the knuckle (2) It is important to place the side of the bearing with the wheel speed sensor magnetic encoder ring (dark band) in the knuckle first. Otherwise the wheel speed sensor will not operate correctly.



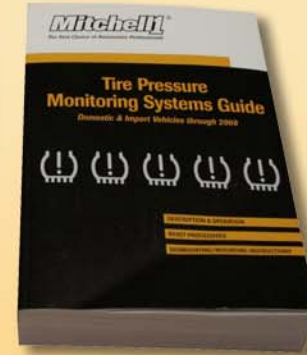
2007 – Newer Caliber / Compass / Patriot – Wheel Bearing w/ encoder

Visit the new Technical Tips pages on our web site:
www.youngautoprofessionals.com/technical-tips-index/

Essential Manuals



DAYCO Timing Belt Replacement Guide
\$39.95



Mitchell Tire Pressure Monitoring Systems Guide
\$59.50



Interstate Batteries for lawn and garden tractors

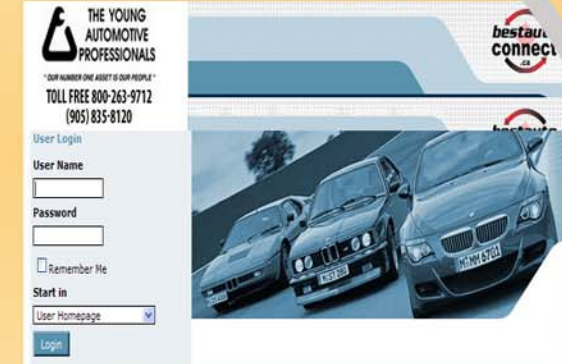
RV and Motorcycle Batteries!



Interstate batteries for all vehicles

Ask us how your shop can be an Interstate Battery installer!

Are you using our AcconneX On-line ordering system?



Fast, easy, complete parts look up to view the parts needed to price out your jobs and complete an instant order.

You can continue to have the strong backup support of our very knowledgeable counter staff. They are always just a phone call away.

Ask our Sales Team for an on-site demonstration and we can get you set up!